

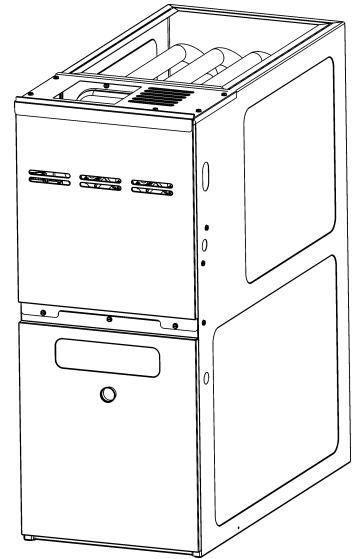


REPAIR PARTS

GMVS 80% ULN Variable Speed Furnace

GMVS800604BUAA

GMVS800805CUAA



This manual is to be used by qualified technicians only.

© 2020 Goodman Manufacturing Company, L.P. ♦ 5151 San Felipe St, Suite 500 ♦ Houston, TX 77056

Important Information

Index

Functional Parts List	3
Illustration and Parts	4 - 9

Views shown are for parts illustrations only, not servicing procedures

Text Codes:

AR - As Required

NA - Not Available

NS - Not Shown

00000000 - See Note

QTY - Quantity Example (QTY 3) (If Quantity not shown, Quantity = 1)

M - Model Example (M1) (If M Code not shown, then part is used on all Models)

Expanded Model Nomenclature:

Example M1 - Model#1 M2 - Model#2 M3 - Model#3

Goodman Manufacturing Company, L.P. is not responsible for personal injury or property damage resulting from improper service. Review all service information before beginning repairs.

Warranty service must be performed by an authorized technician, using authorized factory parts. If service is required after the warranty expires, Goodman Manufacturing Company, L.P. also recommends contacting an authorized technician and using authorized factory parts.

Goodman Manufacturing Company, L.P. reserves the right to discontinue, or change at any time, specifications or designs without notice or without incurring obligations.

For assistance within the U.S.A. contact:
Homeowner Support
Goodman Manufacturing Company, L.P.
19001 Kermier Road
Waller, Texas 77484
877-254-4729-Telephone
713-863-2382-Facsimile

For assistance outside the U.S.A. contact:
International Division
Goodman Manufacturing Company, L.P.
19001 Kermier Road
Waller, Texas 77484
713-861-2500-Telephone
713-863-2382-Facsimile

Functional Parts

Part

No: Description:

0130F00802	80% PRESSURE TRANSDUCER
0130F00783	DATA, FURNACE PCB (M2)
0130F00782	DATA, FURNACE PCB (M1)
0130F00762	FLAME SENSOR
0151M00094	GAS VALVE, ULN
0130M00141	INDUCTOR 5.9 AMPS
10690402	INTERLOCK SWITCH
0130F00067	LIMIT, PRIMARY (M2)
20162901	LIMIT, PRIMARY (M1)
0130F00038	LIMIT, PRIMARY 120 LT BLUE
0131M00271	MOTOR, 3/4 HP SERIAL ECM
0171M00010	MOTOR, VENT ULN80
PCBKF300	PCB CONTROL BOARD
0130F00769	SWITCH, HIGH LIMIT ULN (M1)
0130F00772	SWITCH, HIGH LIMIT ULN (M2)
0130M00140	TRANSFORMER,(120V TO 24V,40VA,
0130F00717	ULN IGNITOR
DY6.186.070	VENT MOTOR CAPACITOR

SPECIAL PARTS

0161F00007 GOODMAN NAMEPLATE

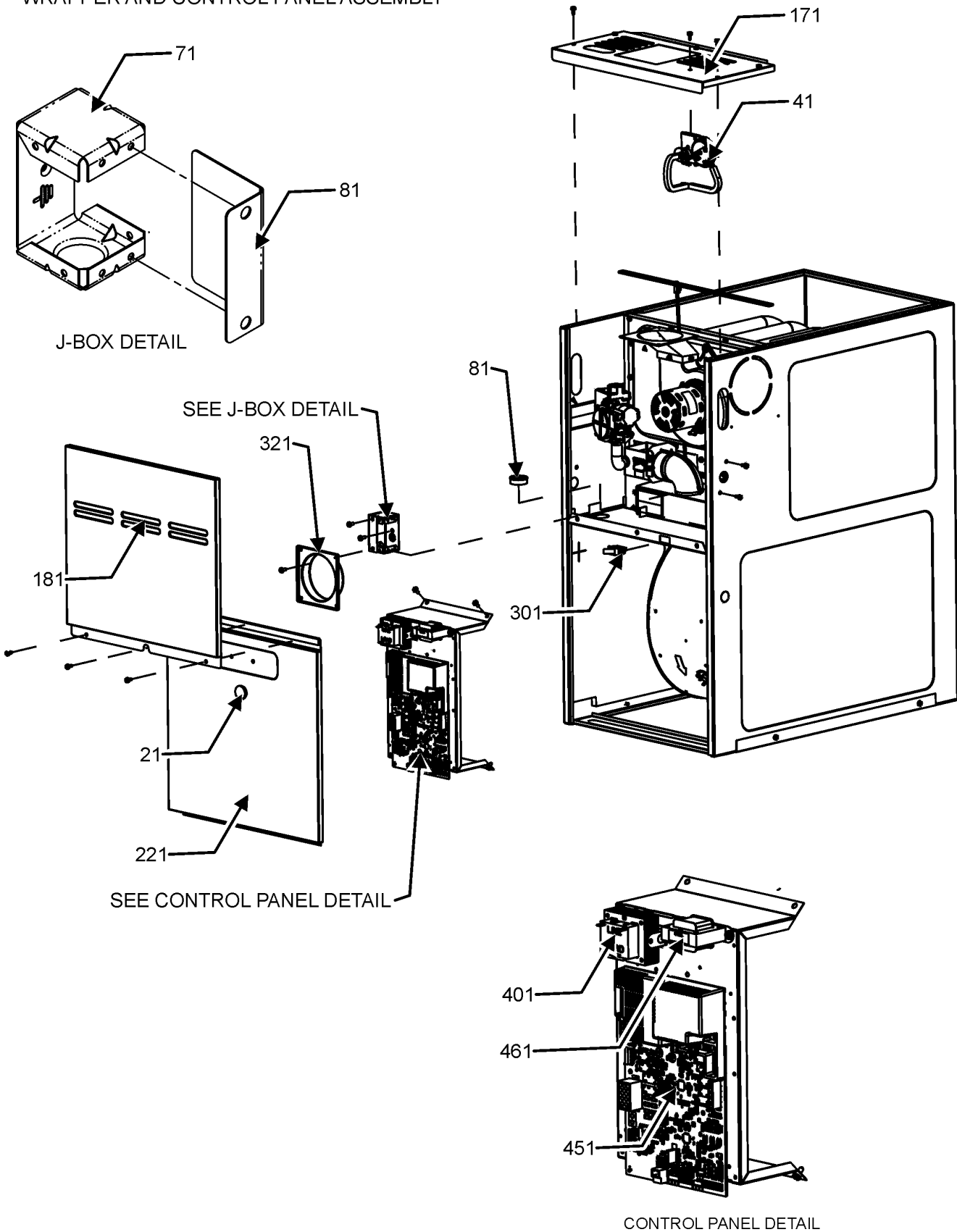
Expanded Model Nomenclature

M1 - GMVS800604BUAA

M2 - GMVS800805CUAA

Wrapper and Control Panel Assembly

WRAPPER AND CONTROL PANEL ASSEMBLY



Wrapper and Control Panel Assembly

Ref. Part No:	No:	Description:	Ref. Part No:	No:	Description:
---------------	-----	--------------	---------------	-----	--------------

Image 1:

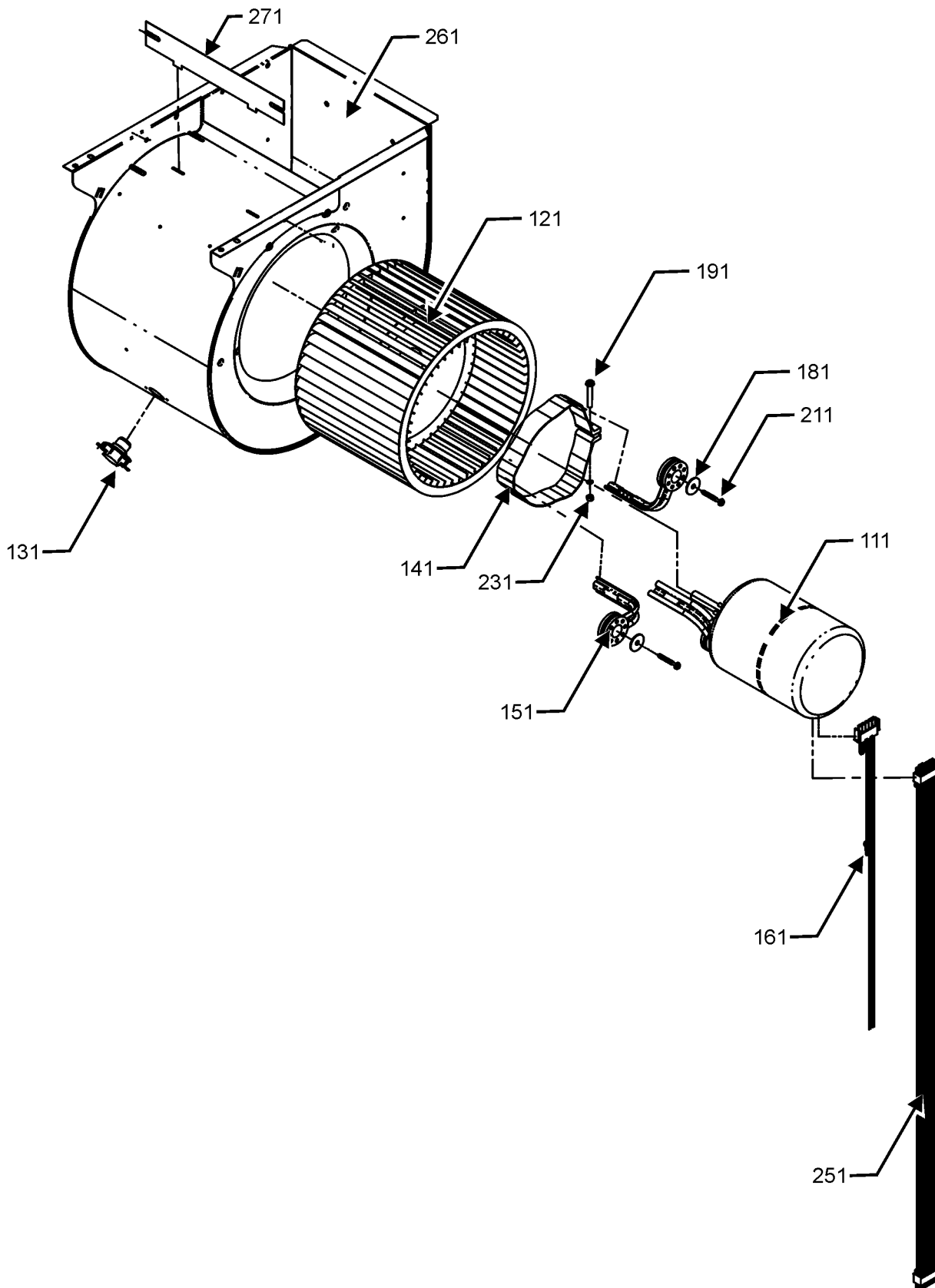
21	B1392139	VIEW PORT BUSHING-BLOWER DOOR
41	0130F00802	80% PRESSURE TRANSDUCER
71	4014502	J-BOX
81	4015502	COVER, J-BOX
81	B1392147	UNIVERSAL BUSHING WITH SLICE
171	0121F00142DG	TOP, FURNACE 17.5"-PAINTED (M1)
171	0121F00143DG	TOP, FURNACE 21"-PAINTED (M2)
181	0121F00120DG	DOOR CTRL ACCESS, 21"-PAINTED (M2)
181	0121F00119DG	DOOR CTRL ACCESS, 17.5"-PAINTED (M1)
221	0121F00123DG	DOOR, BLOWER, 17.5"-PAINTED (M1)
221	0121F00124DG	DOOR, BLOWER, 21"-PAINTED (M2)
301	10690402	INTERLOCK SWITCH
321	4023500	CHIMNEY TRANSITION TOP
401	0130M00140	TRANSFORMER, (120V TO 24V, 40VA,
451	PCBKF300	PCB CONTROL BOARD
461	0130M00141	INDUCTOR 5.9 AMPS
NS	0161F00007	GOODMAN NAMEPLATE

Expanded Model Nomenclature

M1 - GMVS800604BUAA
M2 - GMVS800805CUAA

Blower Assembly

BLOWER ASSEMBLY



Blower Assembly

Ref. Part No:	No:	Description:	Ref. Part No:	No:	Description:
---------------	-----	--------------	---------------	-----	--------------

Image 1:

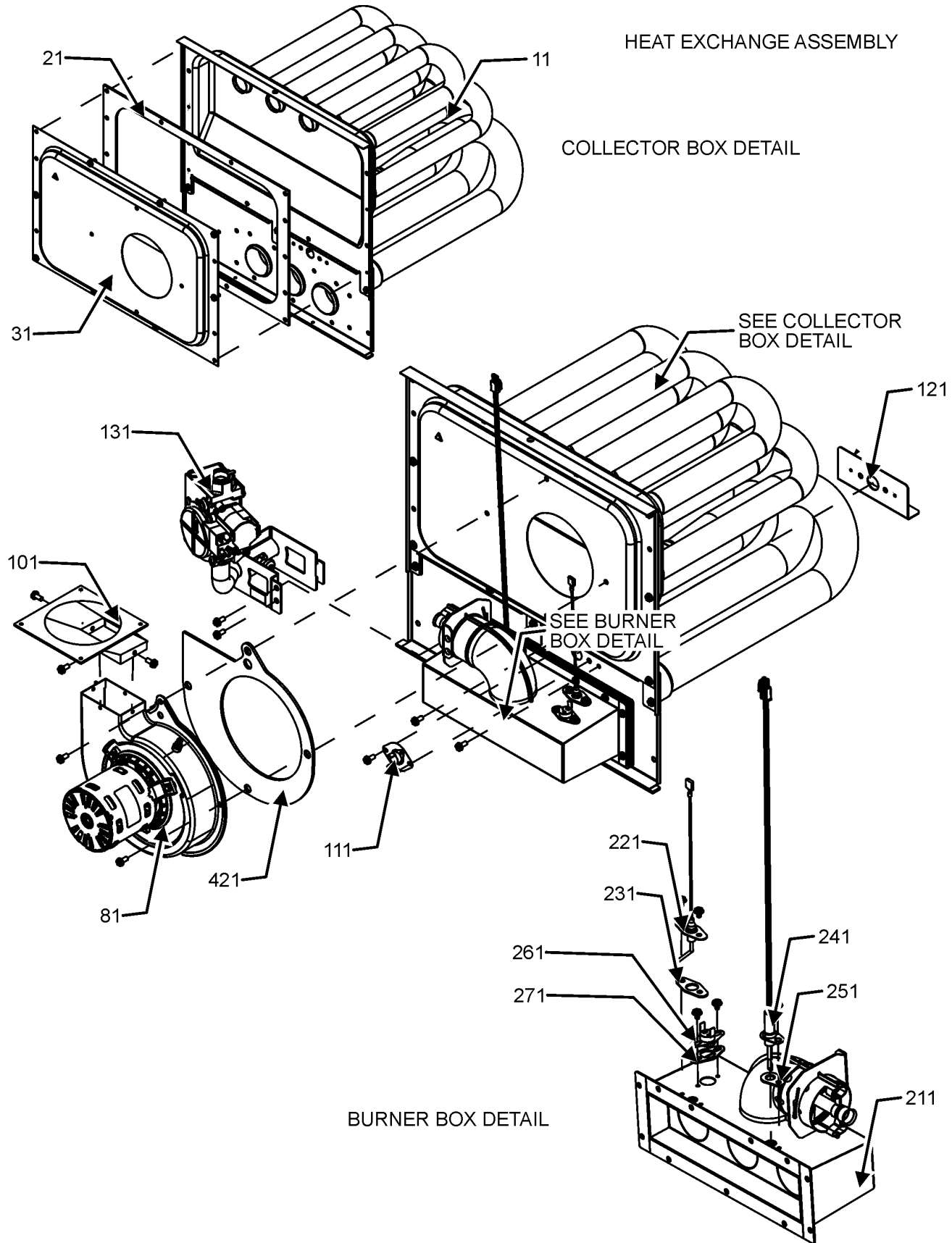
111	0131M00271	MOTOR, 3/4 HP SERIAL ECM
121	B1368047	BLOWER WHEEL (10 X 10) (M2)
121	B1368016	WHEEL, BLOWER, 10X8 (M1)
131	0130F00038	LIMIT, PRIMARY 120 LT BLUE
141	0121M00038	MOUNT BAND, MOTOR (M1)
141	0121M00039	MOUNT BAND, MOTOR (HEAVY DUTY) (M2)
151	B1376863	MOUNT ARM, MOTOR (HEAVY DUTY) (M2)
151	B1376853	MOUNT ARM, MOTOR, A36-42 (M1)
161	0259F00049	HARNES-POWER
181	B1392918	WASHER, FLAT 1/4 ID X 1 OD (QTY 3)
191	0163M00320	HEX HEAD ALL THREAD TAP BOLT
211	M0250565	SCREW-TC 1.25" (QTY 3)
231	B1393800	LOCKNUT, NYLON INSERT 1/4 20
251	0259M00008	WIRE HARNES
261	0271F00111	BLOWER SHELL ASSY (M1)
261	0271F00112	BLOWER SHELL ASSY (M2)
271	764741	BLWR BLK-OFF, 10X10 (M2)
271	764740	BLWR BLK-OFF, 10X8 (M1)
NS	0130F00782	DATA, FURNACE PCB (M1)
NS	0130F00783	DATA, FURNACE PCB (M2)

Expanded Model Nomenclature

M1 - GMVS800604BUAA

M2 - GMVS800805CUAA

Heat Exchange Assembly



Heat Exchange Assembly

Ref. Part No:	Part No:	Description:	Ref. Part No:	Part No:	Description:
---------------	----------	--------------	---------------	----------	--------------

Image 1:

11	0270F03775	ASSY, EXCHANGER, HEAT (M2)
11	0270F03773	ASSY., HEAT EXCHANGER (M1)
21	0154F00049	GASKET, 17.5 INCH (M1)
21	0154F00050	GASKET, 21 INCH (M2)
31	0121F00636	COLLECTOR BOX 4.5 DIA (M1)
31	0121F00637	COLLECTOR BOX 4.5 DIA (M2)
81	0171M00010	MOTOR, VENT ULN80
101	0128F00006	TRANSITOIN, BOTTOM
111	0130F00067	LIMIT, PRIMARY (M2)
111	20162901	LIMIT, PRIMARY (M1)
121	0121F00439	HEAT SHIELD PRIMARY LIMIT
131	0151M00094	GAS VALVE, ULN
211	0163F00024	BURNER, BECKETT 3B (M1)
211	0163F00025	BURNER, BECKETT 4B (M2)
221	0130F00762	FLAME SENSOR
231	0154F00068	GASKET ULN FLAME SENSOR
241	0130F00717	ULN IGNITOR
251	0154F00068	GASKET ULN IGNITOR
261	0130F00769	SWITCH, HIGH LIMIT ULN (M1)
261	0130F00772	SWITCH, HIGH LIMIT ULN (M2)
271	0154F00069	GASKET LIMIT U LN
421	0154F00049	GASKET, 17.5 INCH (M1)
421	0154F00050	GASKET, 21 INCH (M2)
NS	0263F00005	ASSY MANIFOLD (M1)
NS	0263F00006	ASSY MANIFOLD (M2)
NS	DY6.186.070	VENT MOTOR CAPACITOR

Expanded Model Nomenclature

M1 - GMVS800604BUAA
M2 - GMVS800805CUAA